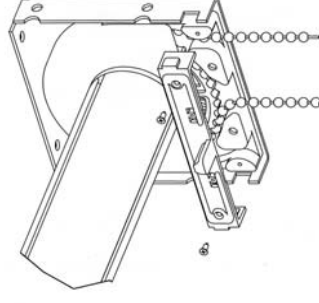


Fitting Instructions are applicable to both 3" and 4" fascias

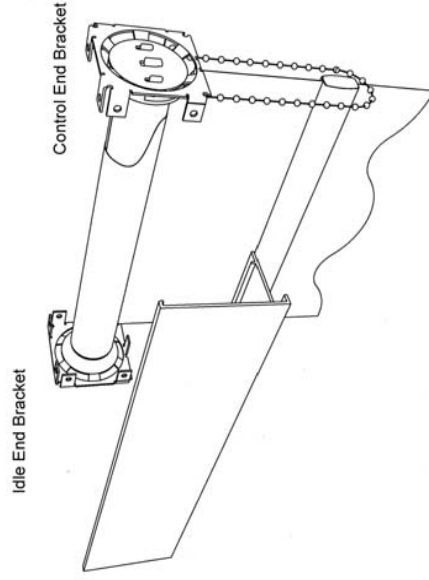
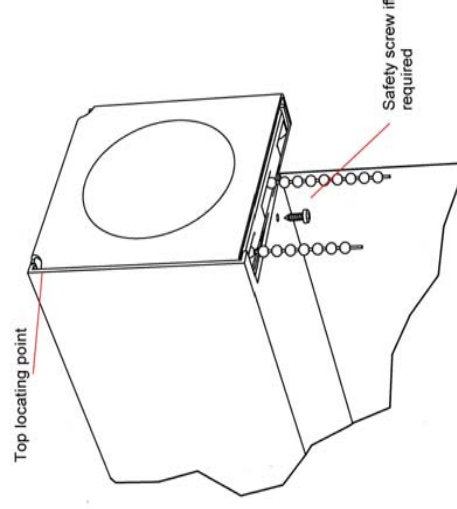
Fitting the Brackets

The bracket positions illustrated are for a blind with the control chain on the right hand side of the blind. For a blind with the control chain on the left, the brackets should be at the opposite ends. Brackets can be top, side or face fixed to any flat surface. They must be level to ensure the smooth operation of the blind. Check that the rolled up fabric will not touch any surface. To calculate the spacing between the brackets, add 35mm (1 3/8") to the width of the blind fabric. Fix the brackets so that the outsides of the brackets are this distance apart.



Fitting the Fascia

Feed the fascia into the top locating point of the bracket. Push the fascia forward, towards the wall, until it snaps into place. If you feel that need to secure the fascia further a screw may be drilled into the hole underneath the fascia.



Fitting the Blind

Hold the blind to the brackets with the fabric hanging from the back of the blind. Fit the spring plunger into its bracket and push the blind into the bracket, depressing the plunger. With the locating hook pointing downwards and the chain guard lug at the bracket. Allow the hook to drop downwards so that it locks into place in the bracket.